



BOMAG
FAYAT GROUP

Single Drum Vibratory Rollers

BW124-40 Series



KEY FEATURES

- 47 inch drum width
- Easy & simple operation
- Deutz diesel engine
- No grease points
- Excellent compaction performance
- Dual drum scrapers
- First-rate gradeability
- Optional leveling blade



BW124-40 Series



■ *The right choice for a wide range of light duty to large scale compaction applications...*

The BW124-40 Series continues to offer large roller features in a compact design. Dual travel pumps, a limited slip differential and standard drum drive deliver enhanced tractive effort and gradeability. The Tier 4i Deutz 3-cylinder diesel engine is powerful and efficient for the most demanding applications.

The bolt-on, maintenance free centerjoint provides 35 degrees of articulation and 12 degrees of oscillation, for unmatched maneuverability and full drum contact on irregular terrain. The single travel lever provides simple, variable control for travel direction and speed. The compact design meets the One Meter by One Meter visibility aspect for enhanced jobsite safety.

■ Applications:

- Road Construction
- Site Preparation
- Embankment Compaction
- Trench Work
- Utility Installations
- Landscaping Jobs



BW124PDH-40 padfoot roller.



Efficient access to the engine and major components



Scrapers are positioned at both the front and rear of the drum to ensure a clean drum surface

Featuring...



Bolt-on centerjoint is maintenance-free.

Compact design provides optimal visibility and maneuverability

■ Achieve Maximum Productivity:

- Rugged limited slip differential and standard drum drive provides maximum gradeability and tractive effort.
- The BW124DH-40 smooth drum model quickly and efficiently compacts granular and mixed soils.
- The BW124PDH-40 and BW124PDH-40 + blade padfoot models deliver maximum productivity on semi-cohesive and cohesive materials.
- The BW124PDH-40 + blade, quickly and efficiently spreads and levels irregular surface material with its leveling blade.
- Lockable engine hood and control panel area protects fluid access points and instruments against vandalism and helps reduce damage related downtime.
- Recessed drum frame bolt holes avoid rounding and shearing off of bolt heads when working close to obstacles.
- Front frame is wider than rear tractor, reducing tire damage when working in confined areas.

■ Handling is Easier & Safer:

- Console positioned travel lever controls speed and direction.
- Vibration isolated operator's platform with adjustable seat ensures operator's comfort.
- Engine exhaust and noise are directed away from the operator.
- Rubber buffer solid block isolators minimize vibration energy transmitted by the drum and allow extended, fatigue free operation. Buffers can be individually serviced without drum removal.

■ Less Service & Maintenance:

- Vibratory drum mechanism is virtually maintenance free.
- The powerful SAHR (Spring Applied, Hydraulically Released) brakes are virtually maintenance free.
- Hydraulic oil change intervals are extended with the BOMAG oil filter system up to 2,000 hours or 2 years.
- Pressure test ports are built directly into the hydraulic system for quick and simple analysis of all critical pressures.



Optional blade system is controlled by strategically positioned floor mounted foot pedals.



Simple and clear instrument panel layout.



Optional angle blade enhances machine versatility.

Best for
COMPACTION

Technical Specifications

BW124-40 Series

Shipping dimensions

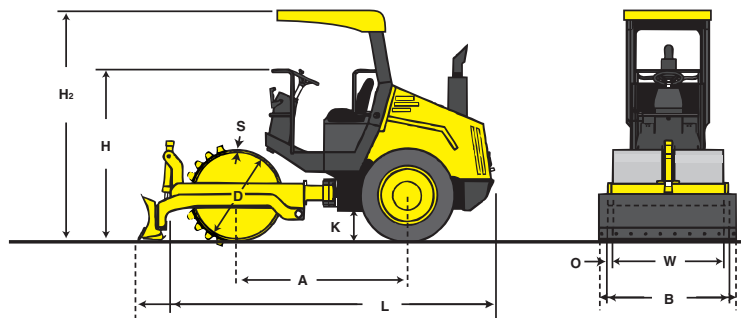
in cubic feet (m ³)	without / with ROPS/FOPS
BW 124DH-40	290.7 (8.2) / 383.2 (10.8)
BW 124PDH-40	290.7 (8.2) / 383.2 (10.8)
BW 124PDH-40 w/blade	390.7 (11.1) / 515.1 (14.6)

Standard equipment

- Deutz Tier 4i Engine
- Single Amplitude Drum
- Hydrostatic travel & vibration drives
- Hydrostatic steering
- Rear axle with Spring-Applied, Hydraulically Released (SAHR) brakes
- Limited slip differential
- Dual Flexible Drum Scrapers (DH)
- Dual Drum Scrapers (PDH)
- Articulated centerjoint lock
- Lockable control panel
- Hour meter
- Warning horn
- Fuel level indicator
- Audible and/or visual warning indicators:
 - Engine oil pressure
 - Engine temperature
 - Air filter vacuum
 - Brake control
 - Charge control
- Adjustable operator's seat
- Emergency STOP
- ROPS / FOPS with seat belts
- Back-up alarm

Optional equipment

- Dual Amplitude
- ROPS / FOPS with rear window
- Hood sound insulation
- Working Lights (front & rear)
- Leveling blade
- Leveling blade with angle mechanism
- Rotary Beacon



Dimensions in inches (mm)

	A	B	D	H	H ₂	K	L	O	S	W
BW 124DH-40	71.1 (1805)	51.6 (1310)	37.8 (960)	73.8 (1874)	97.3 (2471)	12.6 (320)	136.0 (3450)	2.2 (55)	0.59 (15)	47.2 (1200)
BW 124PDH-40	71.1 (1805)	51.6 (1310)	35.0 (889)	73.8 (1874)	97.3 (2471)	12.6 (320)	136.0 (3450)	2.2 (55)	0.59 (15)	47.2 (1200)
BW 124PDH-40 w/blade	71.1 (1805)	59.6 (1514)	35.0 (889)	73.8 (1874)	97.3 (2471)	12.6 (320)	157.5 (4000)	2.2 (55)	0.59 (15)	47.2 (1200)

Technical data

	BOMAG BW124DH-40	BOMAG BW124PDH-40	BOMAG BW124PDH-40 w/blade
--	------------------	-------------------	---------------------------

Weights

Operating weight with ROPS/FOPS . . . lb (kg)	7010 (3180)	7120 (3230)	8050 (3650)
Axle load, drum lb (kg)	3530 (1600)	3625 (1645)	4235 (1920)
Axle load, wheels lb (kg)	3480 (1580)	3495 (1585)	3815 (1730)
Static linear load (drum) lb/in (kg/cm)	74.8 (13.3)	-	-

Driving characteristics

Speed (1) mph (km/h)	0-5.6 (0-9)	0-5.6 (0-9)	0-5.6 (0-9)
Maximum gradeability %	55	55	55

Drive

Engine (Deutz Diesel)	D2011 L03i	D2011 L03i	D2011 L03i
Tier Compliance	Tier 4i	Tier 4i	Tier 4i
Cooling - cylinder heads/liners	air/oil	air/oil	air/oil
Number of cylinders	3	3	3
Performance ISO 3046 / SAE J 1995 hp (kW)	45 (33)	45 (33)	45 (33)
Speed rpm	2500	2500	2500
Electric equipment V	12	12	12

Drums & Tires

Number of pad feet	-	70	70
Area of one pad foot in ² (cm ²)	-	12.6 (81)	12.6 (81)
Height of one pad foot in (mm)	-	2.2 (55)	2.2 (55)
Tire size and tread design	9.5-24/4PR/R-3	9.5-24/6PR/R-1	9.5-24/6PR/R-1

Brakes

Service brake	hydrostatic	hydrostatic	hydrostatic
Secondary/Parking brake	SAHR	SAHR	SAHR

Steering

Steering system	oscil. artic.	oscil. artic.	oscil. artic.
Steering method	hydrostatic	hydrostatic	hydrostatic
Steering / Oscillating angle ± degrees	35/12	35/12	35/12
Track radius, inner in (mm)	88.2 (2240)	88.2 (2240)	88.2 (2240)

Vibratory system

Frequency vpm (Hz)	2460 (41)	2460 (41)	2460 (41)
Amplitude in (mm)	0.067 (1.7)	0.063 (1.6)	0.063 (1.6)
Centrifugal force lb (kN)	18540 (82.5)	18540 (82.5)	18540 (82.5)

Capacities

Fuel gal (l)	15.9 (60)	15.9 (60)	15.9 (60)
------------------------	-----------	-----------	-----------

Tech data for Dual Amplitude Option

	BOMAG BW124DH-40	BOMAG BW124PDH-40	BOMAG BW124PDH-40 w/blade
--	------------------	-------------------	---------------------------

Weights

Operating weight with ROPS/FOPS . . . lb (kg)	7075 (3210)	7185 (3260)	8115 (3880)
Axle load, drum lb (kg)	3580 (1625)	3690 (1675)	4300 (1950)
Axle load, wheels lb (kg)	3495 (1585)	3495 (1585)	3825 (1730)
Static linear load (drum) lb/in (kg/cm)	75.8 (13.5)	-	-

Vibratory system

Amplitude in (mm)	0.067/0.033 (1.7/0.85)	0.063/0.031 (1.6/0.8)	0.063/0.031 (1.6/0.8)
Centrifugal force lb (kN)	19125/9675 (85/43)	19125/9675 (85/43)	19125/9675 (85/43)

B572H-3202 2M0512TTTPPG