

VOLVO SKID STEER LOADER

MC60

- (36,9 kW) **49.5 hp**
4-cylinder diesel engine
- (612 kg) **1,350 lb** rated
operating capacity
- (2485 kg) **5,478 lb**
operating weight
- Superior breakout force
and axle torque
- Powerful (63 lpm) **16.6 gpm**
hydraulic pump to run optional
attachments
- High hinge pin height to reach
over walls and truck side boards
- Forward tilting ROPS/FOPS cab
allows quick and easy access to
engine/drive train
- Swing out rear door, hinged engine
cover, lift out floor panel
- Welded unitized frame, modular
axles, corrosion-resistant lift-arm
and tilt pins
- Adjustable drive chains
- Lubed-for-life universal joint for
efficient engine-to-transmission
power transfer
- Extra wide operator compartment
- Easy entrance and exit
- Easy-to-read gauge/warning
light panel
- Conventional hand and foot
controls standard; optional
hands only controls
- Quick-Attach system for
most attachments

The MC60 in detail

Engine

Make/ModelKubota V2203-B
Cylinders4
Fuel typeDiesel
Displacement(2,2 l) **134 cu in**
Cooling systemLiquid cooled
Horsepower
Gross @ 2800 rpm ... (36,9kW) **49.5 hp**
Peak torque(151 Nm) **112 ft-lb**
@ 1,600 rpm
Bore(87 mm) **3.43 in**
Stroke(92,4 mm) **3.64 in**
Speeds:
Fast, no load (max.)3,000 rpm
Rated2,800 rpm
Idle, no load (min.)1,100 rpm

Electrical system

Alternator45 amp
Battery660 CCA
System protection40 amp
circuit breaker
Starter(2,0 kW) **12V**

Drivetrain

Type (pumps) (41cc/rev) **2.5 in³/rev**
displacement

Type (motors)(490 cc/rev) **30 in³/rev**
displacement
Axle torque (6079 Nm) **4,484 ft-lb**
Axle diameter(4,8 cm) **1.9 in**
Chain size80 HV
Parking brakesPin lock

Hydraulic system

Lift Cylinders
Bore (5,7 cm) **2.3 in**
Stroke (75,3 cm) **29.7 in**
Rod size(3,5 cm) **1.4 in**
Tilt Cylinders
Bore (7,0 cm) **2.8 in**
Stroke (33,3 cm) **13.1 in**
Rod size(3,2 cm) **1.3 in**
Pump flow @ rated rpm(63 lpm)
16.6 gpm
Relief pressure (max.) (17241 kpa)
2,500 psi

Service fill capacities

Cooling system (15,1 l) **4 gal**
Engine crankcase (with filter) ..(8,5 l) **9 qt**
Fuel tank(66 l) **17.4 gal**
Hydraulic system(36 l) **9.5 gal**
Chain case(5,7 l) **1.5 gal**

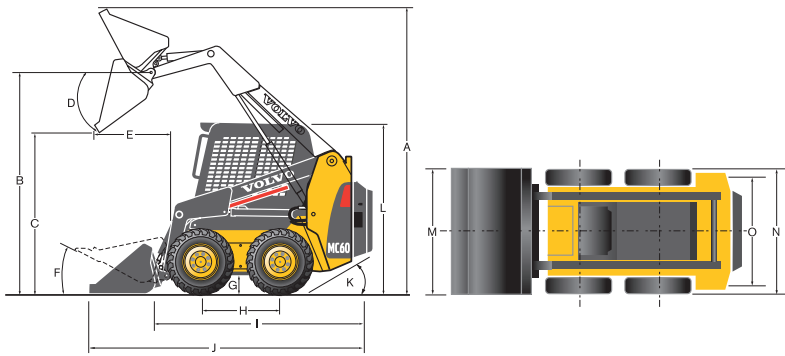
Performance

Rated operating capacity (612 kg)
1,350 lb
Tipping capacity (1224 kg) **2,700 lb**
Approx. operating
weight (SAE) (2485 kg) **5,478 lb**
Travel speed ... (0-10,3 km/h) **0-6.4 mph**
Cycle times:
Lift raising time3.9 sec
Lift lowering time2.6 sec
Tilt dumping time2.7 sec
Tilt rollback time2.3 sec

SAE Rated equipment:
Full fuel tank
(75 kg) **165 lb** operator
(1524 mm) **60"** dirt bucket
10.00 x 16.5 – 8-ply HD tires

VOLVO

Specifications



MC60

- A. Overall operating height
(with dirt bucket [1524 mm] 60") ... (3805 mm) **149.8"**
- B. Height to hinge pin ... (2895 mm) **114.0"**
- C. Dump height ... (2180 mm) **85.8"**
- D. Dump angle ... **37°**
- E. Dump reach ... (635 mm) **25.0"**
- F. Roll back angle ... **28°**
- G. Ground clearance ... (209 mm) **8.2"**
- H. Wheelbase ... (933 mm) **36.7"**
- I. Overall length (less bucket) ... (2590 mm) **102.0"**
- J. Overall length (with dirt bucket) ... (3322 mm) **130.8"**
- K. Angle of departure ... **21°**
- L. Overall height ... (1979 mm) **77.9"**
- M. Bucket width ... (1524 mm) **60.0"**
- N. Over tire width (less bucket)
10.00 x 16.5 tires ... (1506 mm) **59.3"**
- O. Tread width ... (1252 mm) **49.3"**

Data According to Bucket Type		60" Dirt Bucket	60" Landscape Bucket	60" Landscape Bucket w/Teeth	66" Dirt Bucket	66" Landscape Bucket	66" Landscape Bucket w/Teeth
Width	cm in	152 60	152 60	152 60	168 66	168 66	168 66
SAE Heaped cap	m ³ ft ³	0,43 15.3	0,44 15.5	0,44 15.5	0,47 16.8	0,488 17.25	0,488 17.25
SAE Struck cap	m ³ ft ³	0,32 11.2	0,33 11.7	0,33 11.7	0,35 12.35	0,366 12.95	0,366 12.95
Weight	kg lb	192 423	197 434	211 464	204 449	209 460	225 495

STANDARD EQUIPMENT

Engine

Dual element air cleaner
(2,0 kW) 12 Volt starter
45 amp alternator
Quick cycle engine preheat

Electrical

12 Volt 660 CCA battery
Engine start/stop key switch
Fuel gauge
Hourmeter
Two front and one rear work light
Battery shut-off switch
Warning system:
Air filter restriction, alternator, hydraulic filter restriction, hydraulic oil temperature
Warning light with audible alarm:
Engine water temperature, engine oil pressure and hydraulic oil temperature

Transmission

Two variable displacement piston pumps mounted in tandem
Two fixed displacement high torque motors

Hydraulic

Lift-arm mounted auxiliary hydraulics with standard flat face couplers (ISO 16028)
10 micron hydraulic oil filter

Safety

Lift-arm support strut
Electric lift and tilt hydraulic lockouts
Back-up alarm
Mechanical park lock
Emergency exit rear window
Horn
Rear and top door props

Cab

Adjustable seat with 2" retractable seat belt
Operator restraint bar
Dual travel/steering levers
Tilt forward ROPS/FOPS cab
12 Volt outlet

Other

Lockable doors and covers
Quick-Attach mounting frame
Lockable fuel cap

OPTIONAL EQUIPMENT

Engine

Engine air intake precleaner
Engine block heater (400 watt)
Spark arresting muffler
Catalytic muffler

Cab

Top window
Noise suppression kit
Hand only controls
3" retractable seat belt

Hydraulic

Hydraulic reservoir heater (450 watt)
Hydraulic self level (lift only)

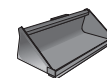
Electrical

Rotating beacon light

Tires

10.00 x 16.5 – 8-ply heavy duty tire (rated)
31.00 x 15.5 x 15 – 8-ply super flotation tire
7.00 x 15 non-pneumatic solid tire

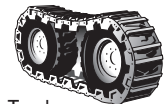
ATTACHMENTS



Buckets



Pallet forks



Tracks

For details on the full range of Volvo attachments, please contact your local Volvo dealer.

All products are not available in all markets. Under our policy of continuous improvement, we reserve the right to change specifications and designs without prior notice. The illustrations do not necessarily show the standard version of the machine.

VOLVO

**Volvo Construction Equipment
North America, Inc.**

One Volvo Drive, Asheville, NC 28803-3447
www.volvoce.com

Ref. No. 22 1 000 9797 English
Printed in USA 05/03 – 5,0 GMC
Volvo, Asheville