



**Count on it.**

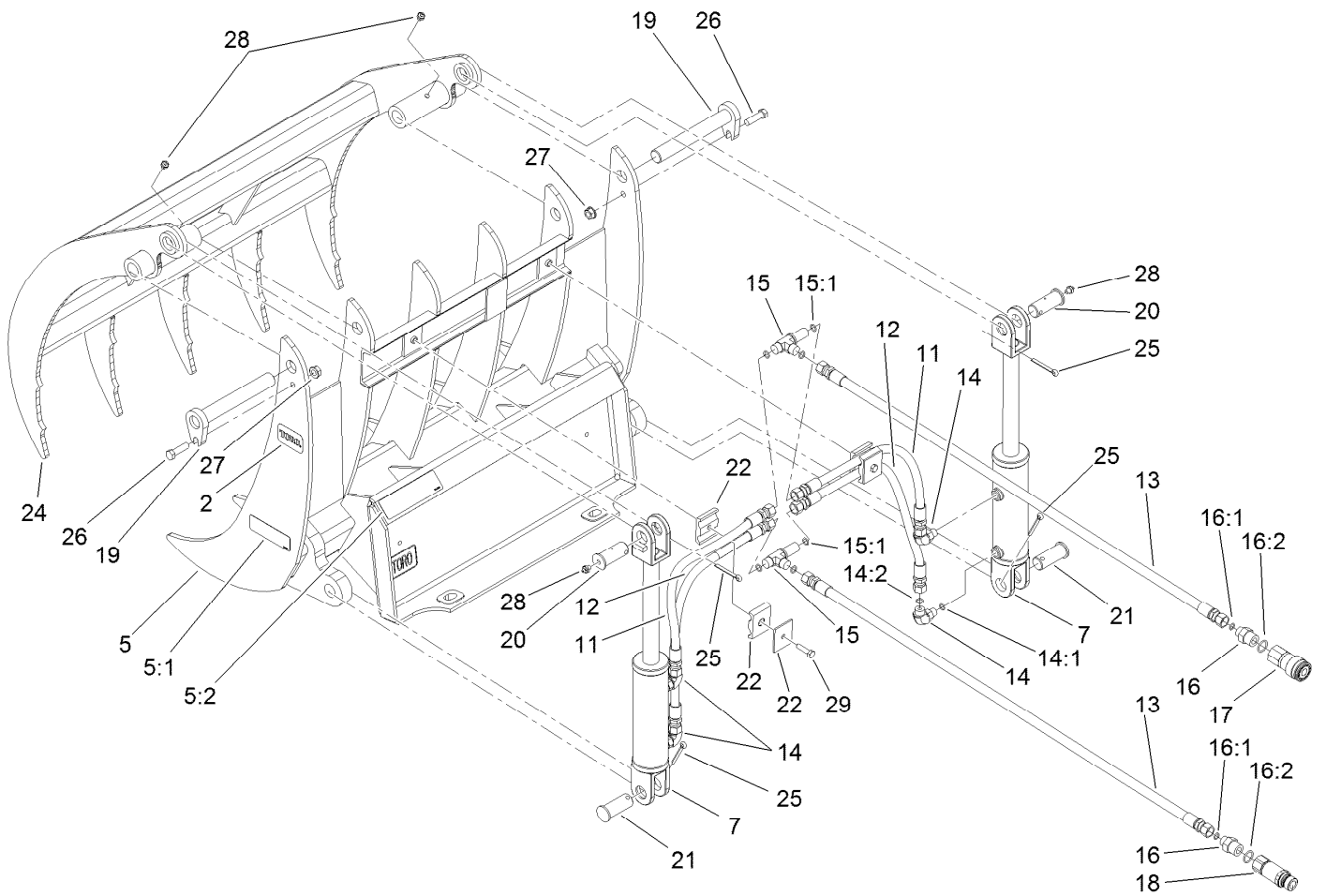
**Parts Catalog**

**Grapple Rake**

**Compact Utility Loaders**

**Model No. 22521—Serial No. 311000001 and Up**

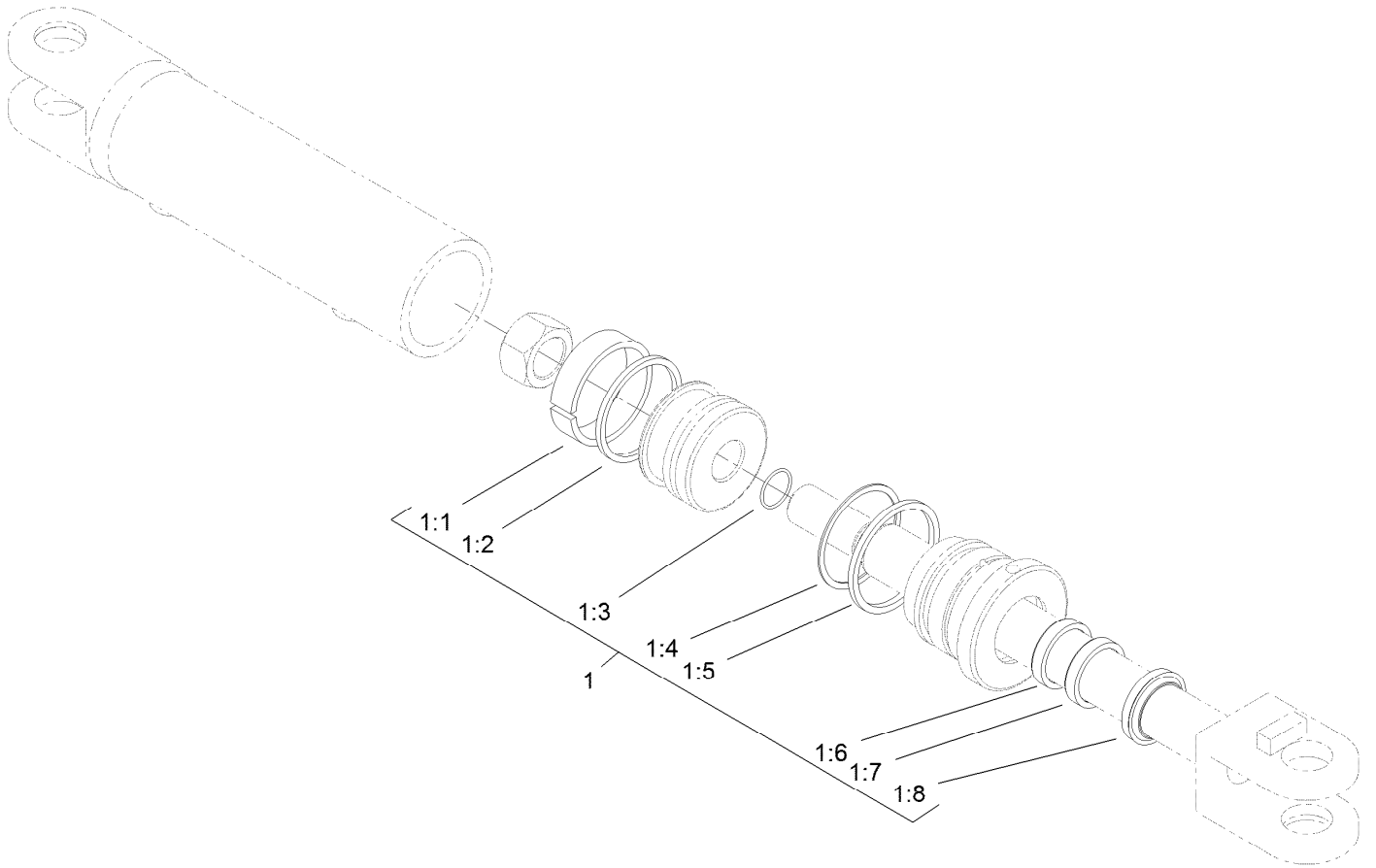




## Grapple Rake Assembly

Ref.	Part Number	Qty.	Description	Ref.	Part Number	Qty.	Description
2	98-3206	2	Decal	16:2	237-80	1	O-Ring
5	114-1298	1	Bottom Grapple Rake ASM	17	104-6134	1	Coupler-Face, Flush
5:1	114-1281	2	Decal-Warning	18	100-4701	1	Nipple-Connect, Pressure
5:2	114-1280	1	Decal-Capacity	18:1	100-6120	1	Seal Kit ●
7	121-4470	2	HYD Cylinder ASM	19	114-1312	2	Pin-Flag
11	114-1309	2	Hose ASM-HYD	20	114-1313	2	Pin-Cylinder, Greaseable
12	114-1310	2	Hose ASM-HYD	21	114-1314	2	Pin-Cylinder
13	114-1311	2	Hose ASM-HYD	22	115-4564	2	Hose Guide Kit
14	340-77	4	Fitting-HYD, 90 DEG	24	114-1301	1	Tines-Grapple, Top
14:1	237-22	1	O-Ring	25	3272-33	4	Pin-Cotter
14:2	237-42	1	O-Ring	26	324-6	2	Screw-HH
15	340-68	2	Fitting-Tee, Bulkhead	27	32128-37	2	Nut-HF
15:1	237-22	3	O-Ring	28	302-2	4	Fitting-Grease
16	340-141	2	Fitting-HYD, Straight	29	322-6	2	Screw-HH
16:1	237-22	1	O-Ring				

● Not illustrated



## Hydraulic Cylinder Assembly No. 121-4470

<i>Ref.</i>	<i>Part Number</i>	<i>Qty.</i>	<i>Description</i>
1	121-4471	1	Kit-Seal
1:1		1	Seal-Piston ●
1:2		1	Seal-Piston ●
1:3		1	O-Ring ●
1:4		1	Seal-Tube ●
1:5		1	Seal-Tube ●
1:6		1	Seal-Rod ●
1:7		1	Seal-Rod ●
1:8		1	Wiper ●

● Not serviced separately



**Count on it.**