

MEYER® PATH PRO™
OWNER'S MANUAL
AND
USER'S GUIDE



Read the Meyer Path Pro Owner's Manual before operating or servicing a snow plow.
FOLLOW THESE INSTRUCTIONS EXPLICITLY.

Thank You

Thank you for buying the Meyer® Path Pro™ plow. As a new owner of hard-working, mechanical equipment, we strongly urge you to spend quality time with this owner's manual. It's easy to use and full of time-saving tips that will enhance your ownership experience. It includes suggestions for faster installation, safe operation and more productive plowing.

We also strongly urge you to register your new Meyer plow at meyerproducts.com. Registering will only take minutes and the benefits of doing so will last for years. When registered, you will receive timely and accurate communication on operation tips, maintenance, new products, and service bulletins. And in the unlikely event you need warranty work done, your local servicing dealer will be able to process your claim faster.

Thanks again for your business. You can now look forward to many years of reliable performance and keeping your driveway safer and easier to use. If you have any questions about your Meyer plow, contact us at: www.meyerproducts.com

Sincerely,

Customer Service
Meyer Products LLC
18513 Euclid Avenue
Cleveland, Ohio 44112
216-486-1313
custserv@meyerproducts.com



Shown with optional deflector, plow markers and rubber edge.

Table of Contents

Subject	Page
Safety	2-3
Registration Data Sheet	4
Introduction	4
Snow Plow Assembly	5-9
Plowing (with Auto Angling)	10
Pre-season & Post-season Maintenance	11
Self Angling Parts Lists	12-13
Meyer Path Pro Plow Accessories	14-15
Warranty	16-18
EC Declaration of Conformity	19

SAFETY DEFINITIONS



This is the safety alert symbol. It is used to alert you to potential personal injury hazards. Obey all safety messages that follow this symbol to avoid possible injury or death.

DANGER

DANGER Indicates an imminently hazardous situation which, if not avoided, will result in death or serious injury.

WARNING

WARNING Indicates a potentially hazardous situation which, if not avoided, could result in death or serious injury.

CAUTION

CAUTION Indicates a potentially hazardous situation which, if not avoided, may result in minor or moderate injury.

CAUTION

CAUTION used without the safety alert symbol indicates a potentially hazardous situation which, if not avoided, will result in property damage.

1	DANGER	Never stand or ride on the plow assembly. Keep people and pets at least 25 feet away from the snow plow when in operation. Failure to comply will result in death or serious injury.
2	WARNING	Always lower moldboard to the ground when snow plow is being serviced or when vehicle is not in use. Failure to comply could result in death or serious injury.
3	WARNING	The Meyer Path Pro Plow is for driveway plowing only and should be used on ATVs. Use of this product on larger than ATVs is prohibited and can result in damage to the vehicle or plow. Failure to comply could result in death or serious injury.
4	WARNING	NEVER use the Meyer Path Pro Plow without first CAREFULLY reading the Owner's Manual. It is CRITICAL for your safety to ALWAYS obey EVERY warning in the manual and follow EVERY instruction EXPLICITLY . Failure to comply could result in death or serious injury.
5	WARNING	The Meyer Path Pro Plow should be used by drivers with a valid operator's license. Keep all body parts inside the vehicle. Failure to comply could result in death or serious injury.
6	WARNING	The Meyer Path Pro Plow should NEVER be used for ANY other purpose other than plowing snow on a driveway, using the Meyer Path Pro Plow for other purposes could result in serious injury or death.
7	WARNING	Inspect plow assembly and mounting components and fasteners for wear and damage before and after each use. Worn or damaged components or fasteners could allow the plow to drop unexpectedly. Failure to comply could result in death or serious injury.
8	WARNING	Do not change plow position while traveling. You could suddenly lower the plow accidentally. Failure to comply could result in death or serious injury.
9	WARNING	ALWAYS wear a helmet when plowing snow. Hidden obstructions can cause the vehicle to stop suddenly resulting in personal injury. Failure to comply could result in death or serious injury.
10	WARNING	NEVER perform any repairs or maintenance with the plow attached to the vehicle. Failure to comply could result in death or serious injury.
11	WARNING	The vehicle must not be operated when overloaded. In all cases, the loaded vehicle weight, including the entire snow plow system, all aftermarket accessories, driver, passenger, options, nominal fluid levels, and cargo must not exceed the front/rear Gross Axle Weight Rating (GAWR), and total Gross Vehicle Weight Rating (GVWR). These weights ratings are specified on the safety compliance certification label on the driver's side door opening. The use of rear ballast weight may be required to prevent exceeding the front GAWR. Failure to comply could result in death or serious injury.
12	WARNING	Read the Meyer Path Pro Plow Owner's Manual before operating or servicing a snow plow. FOLLOW THESE INSTRUCTIONS EXPLICITLY . Failure to comply could result in death or serious injury.

13		Remove Plow Assembly before placing vehicle on hoist/lift. Failure to comply could result in death or serious injury.
14		Do not exceed 10 mph transporting plow. Do not exceed 5 mph plowing snow. Know your road conditions at all times. Keep feet clear of moldboard at all times. Failure to comply could result in death or serious injury.
15		Vehicle exhaust contains lethal fumes. Breathing these fumes, even in low concentrations, can cause death. Never operate vehicle in an enclosed area without venting the exhaust to the outside. Failure to comply could result in death or serious injury.
16		Gasoline is highly flammable and gasoline vapor is explosive. Never smoke while working on vehicle. Keep all open flames away from gasoline tank and lines. Wipe up any spilled gasoline immediately. Failure to comply could result in death or serious injury.
17		Flag obstructions that are under snow to prevent damage to product or property. Failure to comply may result in minor or moderate injury.
18		A ballast weight may be required to prevent front GAWR overloading. If required, ballast must be securely attached at least 24 inches behind the rear axle. Failure to comply will result in property damage.
19		Batteries normally produce explosive gases which can cause personal injury. Therefore, do not allow flames, sparks or lit tobacco to come near the battery. When charging or working near a battery, always cover your face and protect your eyes, and also provide ventilation. Batteries contain sulfuric acid which burns skin, eyes and clothing. Failure to comply will result in property damage.
20		See your Meyer Path Pro Plow Authorized Distributor/Web site for specific vehicle application recommendations before installation. Failure to comply will result in property damage.
21		Installation of a snow plow may affect your new vehicle warranty. For more information consult your Vehicle Owner's Manual /Vehicle Dealer. Failure to comply will result in property damage.
22		Warranty does not apply to a Meyer Path Pro Plow product which has been negligently or improperly assembled or installed. Failure to comply will result in property damage.
23		CAUTION: To avoid harm to vehicles electrical system always disconnect battery before beginning installation. DO NOT BURN holes or WELD vehicle frame. This may cause frame failure. Failure to comply will result in property damage.
24		A driver's first responsibility is the safe operation of the vehicle and snow plow. The most important thing you can do to prevent a crash is to avoid distractions and pay attention to the road. Wait until it is safe to operate mobile communication equipment such as cell phones, two way radios, etc. Failure to comply will result in property damage.

SAFETY DEFINITIONS



This is the safety alert symbol. It is used to alert you to potential personal injury hazards. Obey all safety messages that follow this symbol to avoid possible injury or death.

DANGER

DANGER Indicates an imminently hazardous situation which, if not avoided, will result in death or serious injury.

WARNING

WARNING Indicates a potentially hazardous situation which, if not avoided, could result in death or serious injury.

CAUTION

CAUTION Indicates an potentially hazardous situation which, if not avoided, may result in minor or moderate injury.

CAUTION

CAUTION used without the safety alert symbol indicates a potentially hazardous situation which, if not avoided, will result in property damage.

Introduction

Meyer Products has published this manual to help you get maximum performance from your snow plow and familiarize you with the features designed for efficiency and safety; be sure you recognize and understand them. Follow recommended operation and maintenance instructions, so when the storm hits, your Path Pro plow will be ready and you will know how to plow like a pro.

In conjunction with FMVSS (Federal Motor Vehicle Safety Standards) and OEM (Original Equipment Manufacturer) guidelines, Meyer Products has designed this plow pack.

We also strongly urge you to register your new Meyer Path Pro Plow at meyerproducts.com. Registering will only take minutes and the benefits of doing so will last for years. When registered, you will receive timely and accurate communication on operation tips, maintenance, new products, and service bulletins. And in the unlikely event you need warranty work done, your local servicing dealer will be able to process your claim faster.

Under the continuing Meyer Products Improvement Plan, Meyer Products reserves the right to change design details and construction without prior notice and without incurring any obligation.

Registration Data Sheet

Don't forget to register your snow plow at www.meyerproducts.com to activate your free extended warranty.

Owner Name _____

Address _____

City _____

State/Province _____ Zip/Postal Code _____

Purchased From Company Name _____

Contact Name _____

Address _____

City _____

State/Province _____ Zip/Postal Code _____

Phone Number (_____) _____

E-mail _____

Date Purchased _____

Vehicle Make _____ Vehicle Model _____

Vehicle Year _____ Vehicle VIN _____

Moldboard Serial Number _____

Snow Plow Assembly

Recommended assembly tools:



1/2" drive ratchet with 15/16" deep well socket



15/16" combination wrench



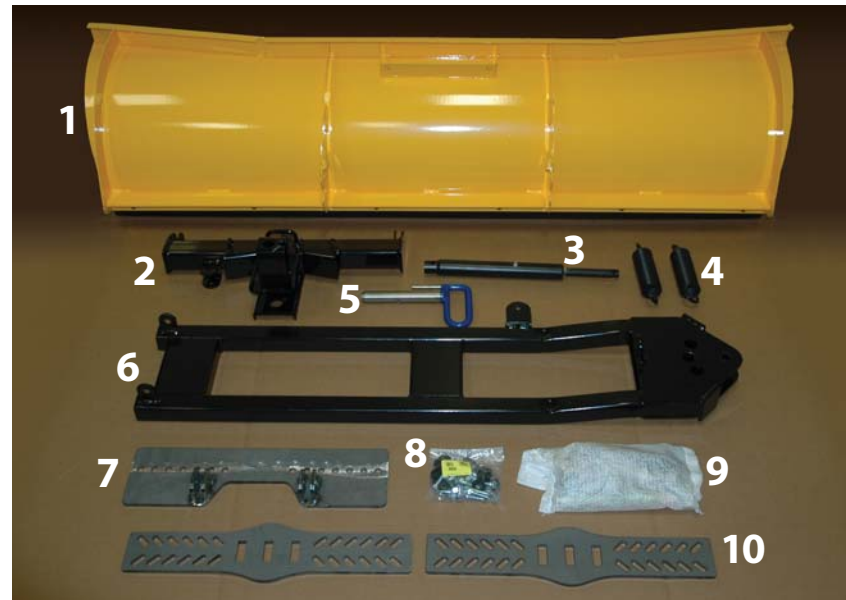
9/16" combination wrench



5/8" combination wrench

Carton contains:

1. Plow Assembly
2. Pivot Bar
3. Self Angling Ram
4. Trip Springs
5. Pivot Pin Handle
6. Push Frame
7. Universal Mount
8. Mounting Hardware Bag (08899 pg. 12)
9. Plow Parts Bag (08900 pg. 12)
10. Adjusting Mounting Plates



STEP 1: PLOW ASSEMBLY INSTRUCTIONS

STEP 1a

Attach pivot bar to Moldboard using pivot pins coated with chassis lubricant and 1/8" Cotter Pin. (Figure 1).

STEP 1b

Attach trip springs to pivot bar and moldboard with eye bolts (Figure 2). Flat end of eye bolt must be in a vertical position to hinge properly when moldboard trips. Proper tension is attained when trip spring coils begin to separate and then tighten top locknut four additional turns. Tighten bottom Finish nut to secure eye bolt in position. (Figure 3).

STEP 1c

Assemble push frame to pivot bar using 5/8-11 x 3-1/2" Bolt and 5/8-11 locknut. (Figure 4).

STEP 1d

Install auto angling ram to push frame and rod end of auto angling ram to pivot bar using 3/8 x 2-1/4" Clevis Pin and 1/8" Hair Pin Cotter (Figure 5). Note: Use two 3/8" Flatwashers to shim up the rod end of the auto angling ram as shown in parts diagram.

STEP 1e

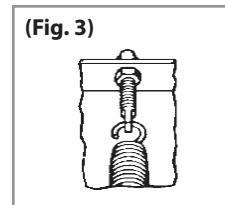
Assemble Pivot Pin Handle (Figure 6), Spring and 1/8 x 1-1/4" Cotter Pin (Figure 7), as shown in Figure 8, to pivot bar.



(Fig. 1)



(Fig. 2)



(Fig. 3)



(Fig. 4)



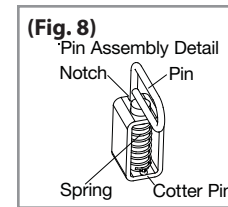
(Fig. 5)



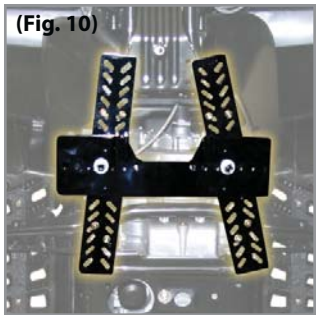
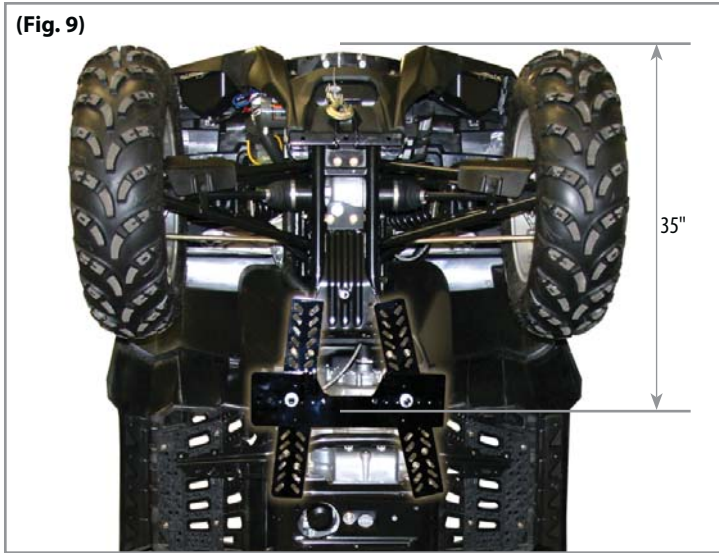
(Fig. 6)



(Fig. 7)



(Fig. 8)



(Fig. 11)

TORQUE CHART FOOT

Bolt Nut Size	Gr. 2	Gr. 5	Gr. 8
1/4 - 20	4 - 5		
5/16 - 18	9 - 11		
3/8 - 16	17 - 20	26 - 29	
7/16 - 14		42 - 46	60 - 66
1/2 - 13		64 - 72	90 - 100
5/8 - 11		127 - 141	179 - 198

**STEP 2:
MOUNT ASSEMBLY**

STEP 2a
If equipped, remove the existing bottom skid plate from ATV and retain.

STEP 2b
Attach both adjusting plates to ATV tubular frame using 5/16-18 U-bolt, 5/16" flatwasher and 5/16-18 locknut. Leave loose, do not tighten at this time. (Figure 9).

STEP 2c
Slide in 1/2-13 x 1-1/2" carriage bolt into both adjusting plates. Use one of the three slots which will position the carriage bolt 35" (minimum) from the front of the ATV (Figure 9). Use the carriage bolts to attach the universal mount to the adjusting plates and secure using 1/2-13 locknut 28. Do not tighten at this time. (Figure 10).

STEP 2d
Check to make sure the 35" (minimum) dimension is achieved and that the universal mount is square and centered in relation to the front of the vehicle and tighten all fasteners. (Figure 11).

STEP 3: ATTACHING PLOW TO MOUNT

STEP 3a

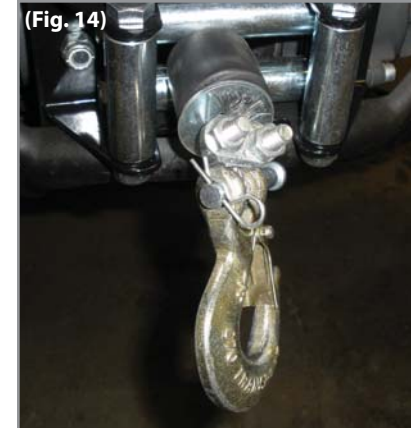
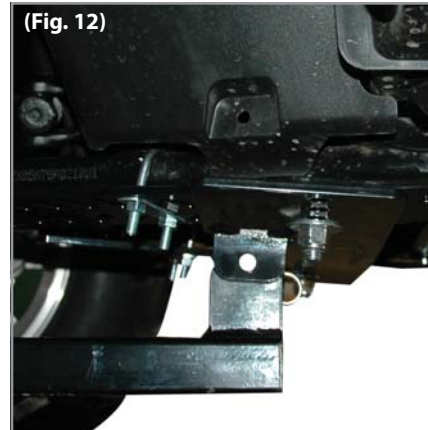
Attach ATV plow assembly to universal mount (Figure 12) using 3/8 x 1-1/2" clevis pin coated with chassis lubricant and 1/8" Hair Pin Cotter.

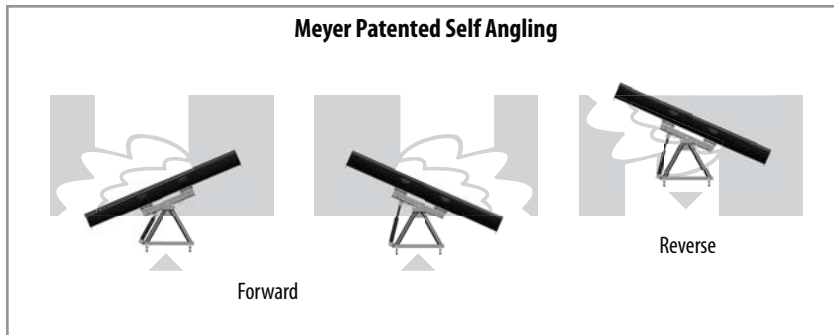
STEP 3b

Move plow up, down, left and right manually to check for interference with ATV components. If interference is encountered the ATV mounting assembly may need to be adjusted.

STEP 3c

Before attaching winch cable to steel lift loop on push frame remove hook and install rubber lift stop and 3/8" flatwasher. (Figure 13 & 14).





STEP 4: OPERATING PLOW

STEP 4a – Raise and Lower Methods

The ATV plow is raised and lowered using the ATV's winch or optional manual lift is available.

STEP 4b – Angling Methods

The plow can be angled using two methods:

- 1) Self Angling automatically positions the plow to the plow side with the heaviest amount of snow and when raised will automatically return to the center or straight position. (Next page).
- 2) 5-Position Lock-n-Go allows the plow to be fixed straight, half angle or full angle left and right. (Figure 15).

The plow is equipped with a fixed angle pin which can position the plow to the left or right. To use the fixed angle pin manually push the plow to the left or right and drop in the fixed angle pin.

Do not exceed 5mph with plow attached to ATV.

Check all fasteners periodically and adjust trip springs as necessary.

PLOWING (WITH SELF ANGLING)

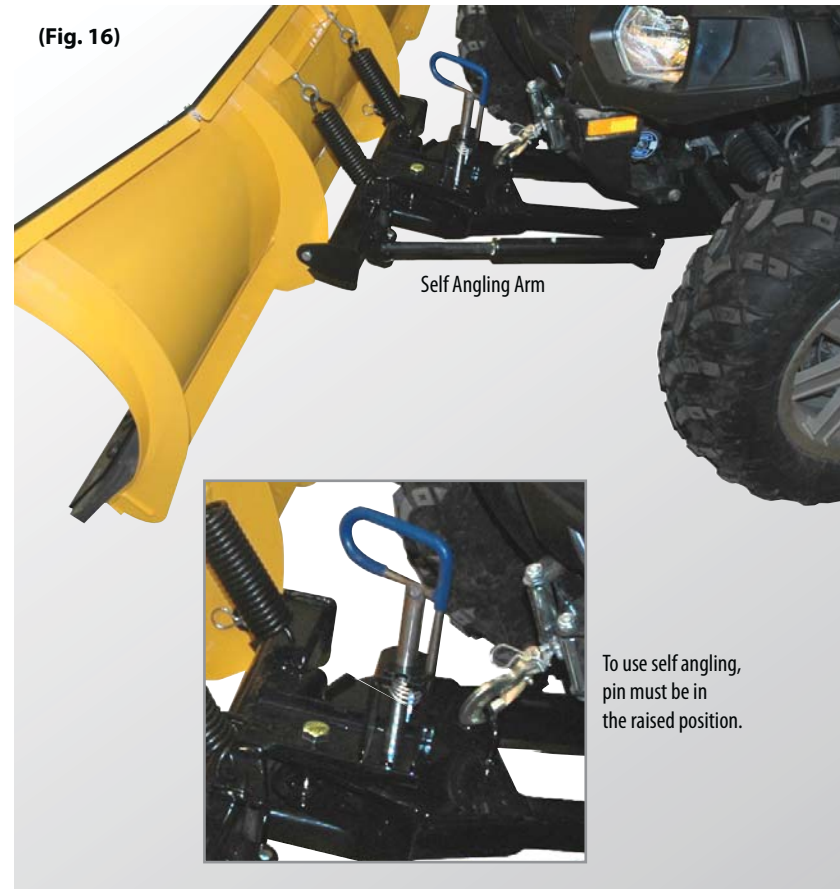
SELF ANGLING OPERATION: The Self Angling feature is designed to automatically angle the plow left or right depending on the amount of snow weight detected going forward or backward when moving. Once the force of the snow is released the plow automatically returns to the center or straight position. The operator can easily pre-determine the plow angle direction by positioning the blade/plow into the snow with the most weight, this will self-angle the blade accordingly. On the first pass of a fresh snowfall the blade/plow may push the snow forward not sensing weight to the left or right, this is normal. After the first pass the operator will determine the angle by the size of the "bite" taken with the plow.

TIP: DRIVEWAY PLOWING RECOMMENDATION: When plowing a driveway with a garage, we recommend the following method. Lift the blade/plow as high as possible, then drive through/ over the snow facing the garage. Lower the blade in front of the garage, slowly back away (back-dragging) from the garage pulling the snow thus, clearing a pathway to operate. Raise the blade, turn around, back into the cleared path, now facing away from the garage. Drop the blade and pick the left or right side of the path and plow forward. The self-angling feature will automatically angle the blade accordingly. Repeat process until driveway is cleared.

TIP: Always plow with the storm, don't wait until after the storm is over. Plow every 2-3" of accumulation. This allows you to manage the positioning of snow piles over time saving space and time.

For more tips and plowing recommendations please visit www.meyerproducts.com for a free plowing tips and guidelines brochure.

(Fig. 16)



PRE-SEASON & POST-SEASON MAINTENANCE

Meyer Products recommends this maintenance information for regular service. Sustained heavy operation may call for more frequent service. Snow plowing subjects a vehicle to exceptionally rugged use. As a result, it is very important to inspect and maintain the snow plow and vehicle up to maximum operating conditions.

Inspection should be made of both the vehicle and snow plow prior to the plowing season and after each use.

PRE-SEASON MAINTENANCE Scheduled vehicle maintenance should be performed as recommended by the manufacturer.

Check the **Diagnosis chart Pre/Post Season Maintenance** for advice on maintaining the unit.

- 1. ALWAYS LOWER MOLDBOARD TO THE GROUND WHEN SNOW PLOW IS BEING SERVICED OR WHEN VEHICLE IS NOT IN USE.**
- 2. CUTTING EDGE** – Replace the cutting edge as soon as it is 3-1/2" (5" is new) Tall. This will prevent permanent damage to the moldboard.
- 3. ADJUSTING TRIP SPRING TENSION** – Tighten top locknut 4 turns beyond the point when spring coils begin to separate. Tighten bottom locknut to hold eye bolt in position.
- 4. MOUNTING BOLTS** – Retighten all mounting bolts after first snow plowing session and at regular intervals through the season.
- 5. SNO-FLO® POWDER COATING**, both black and yellow, should be checked at the beginning and end of each season for any signs of rust. If any exists, use Sno-Flo® powder coat touch-up available in spray cans.

NOTE: PROTECTION AGAINST RUST AND CORROSION When the power unit is not used for extended periods, **protect the chromed lift rod by fully extending and coating it with chassis lubricant.** Coat the exposed portions of the power angling cylinder rods with chassis lubricant to protect against corrosion.

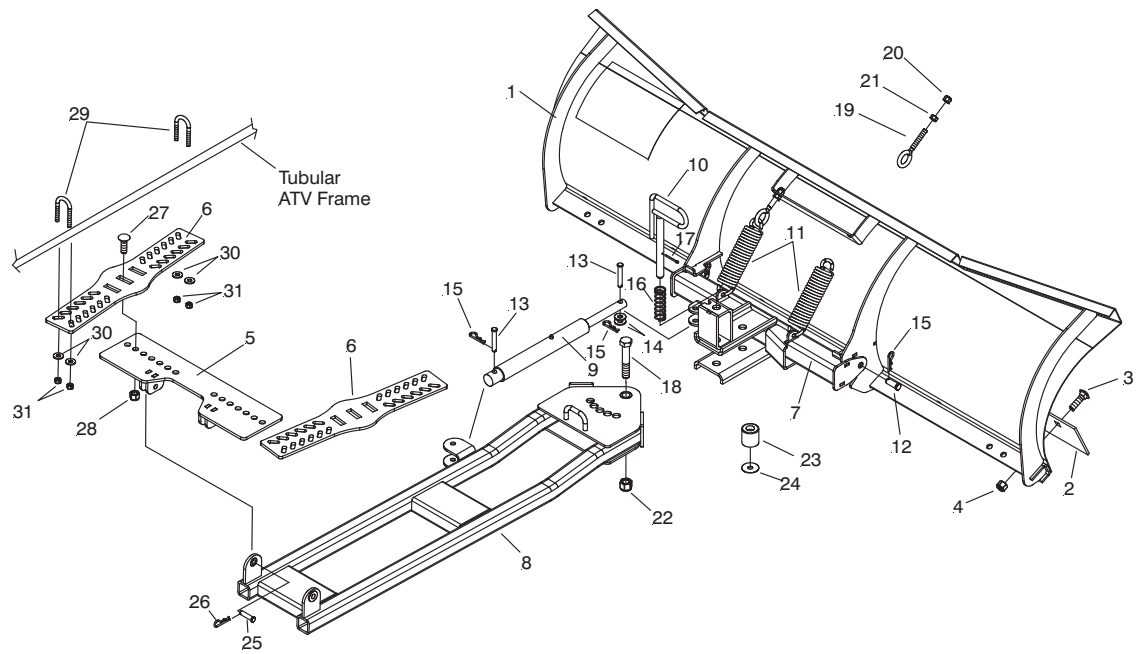
PARTS LIST

MEYER PATH PRO SELF ANGLING

ITEM	PP-50" PART NO.	PP-60" PART NO.	QTY.	DESCRIPTION
1	09344	09363		Path Pro™ Moldboard Assembly
2	09337	09335	1	• Cutting Edge
3	21943	21943	6	• Bolt C 1/2-13 x 1-3/4" Gr. 5
4	20307	20307	6	• Locknut 1/2-13
5	16614	16614	1	Path Pro™ PAF Carton
6	13359	13359	2	• Universal Mount PP
7	13363	13363	1	• Adjusting Plate PP
8	13250	13250	1	• Pivot Bar PP
9	13243	13243	1	• Push Frame PP
10	07665	07665	1	• Auto Angle Ram PP
11	13348	13348	2	• Pivot Pin Handle PP
	13286	13286		• Trip Spring PP
12	08900	08900	1	Hardware Bag Path Pro™ Plow
13	22850	22850	2	-- Clevis Pin 1/4 x 1-1/4"
14	22852	22852	2	-- Clevis Pin 3/8 x 2-1/4"
15	20353	20353	2	-- Flatwasher 3/8"
16	22845	22845	4	-- Hair Pin Cotter 1/8"
17	13350	13350	1	-- Spring
18	20385	20385	1	-- Cotter Pin 1/8 x 1-1/4"
19	20147	20147	1	-- Bolt H 5/8-11 x 3-1/2" Gr. 5
20	22851	22851	2	-- Eyebolt 3/8-16 x 4"
21	20305	20305	2	-- Locknut 3/8-16
22	20526	20526	2	-- Finish Nut 3/8-16
23	20309	20309	1	-- Locknut 5/8-11
24	22880	22880	1	-- Rubber Lift Stop
	20364	20364	1	-- Flatwasher 3/8"

ITEM	PP-50" PART NO.	PP-60" PART NO.	QTY.	DESCRIPTION
25	08899	08899	1	Hardware Bag Path Pro™ Mount
26	22871	22871	2	-- Clevis Pin 3/8 x 1-1/2"
27	22845	22845	2	-- Hair Pin Cotter 1/8"
28	21654	21654	2	-- Bolt C 1/2-13 x 1-1/2"
29	20307	20307	2	-- Locknut 1/2-13
30	22007	22007	4	-- U-Bolt
31	20352	20352	8	-- Flatwasher 5/16"
	20304	20304	8	-- Locknut 5/16-18

Parts indented are included in the assembly under which they are indented.



PARTS LIST

MEYER PATH PRO SELF ANGLING

MEYER
PATH PRO
ACCESSORIES



Steel Cutting Edge (standard equipment)

Manufactured with specially hardened steel to meet the demands of a tough environment. Replacement cutting edges are sold as complete kits including attaching hardware and edge.

Part #08297 - 50"

Part #08298 - 60"



Poly Snow Deflector

Made of pliable poly, the deflector keeps snow flume down and away from the windshield and accentuates the snow rolling action of the plow. It comes pre-drilled ready for installation. Sold as complete kits and come ready-to-install with hardware bag and steel mounting belt.

Part #13368 - 50"

Part #13369 - 60"



Rubber Cutting Edge Kit

The rubber cutting edge is designed to clean the driveway without engaging the pavement with steel. Also helps eliminate noise while providing maximum protection to the surface. Cutting edge is reversible to extend life, once a side is worn. Sold as a complete kit.

Part #08301 - 50"

Part #08302 - 60"



Snow Shoes

Allows you to set the scrapping height of the cutting edge. Perfect for plowing gravel driveways/lots or other ground sensitive surfaces. Bolt-on shoe for easy installation. Rotates 360 degrees to eliminate hang-ups or catching of unwanted objects. Includes all mounting hardware for easy installation.

Part #09369

Visit www.meyerproducts.com for more information



Polyurethane Cutting Edge Kit

The polyurethane cutting edge is designed to clean the driveway without engaging the pavement with steel. It provides the rigidity of steel edges, and the noise reduction of rubber edges, all while protecting sensitive surfaces. The polyurethane cutting edge is pre-drilled ready for installation. Sold as a complete kit.

Part #08303 - 50"

Part #08304 - 60"



Plow Markers

Allow the operator to see the edge of their plow from the cab providing maximum visibility for increased performance and safety. Markers are pre-drilled to fit the moldboard, no drilling is necessary. Includes all mounting hardware and instructions for easy do-it-yourself installation.

Part #09916



Synthetic Rope

For extended life and improved operation, replace the winch cable with this optional synthetic rope.

Part #08290



Manual Lift Kit

Can be used if there is no power winch available. Lets you raise and lower the plow manually. Mounts to front of vehicle and includes all hardware.

Part #13860

Visit www.meyerproducts.com for more information

**MEYER
PATH PRO
ACCESSORIES**

MEYER® SNOW PLOWS LIMITED WARRANTY

What is Covered: Meyer Products, LLC, warrants to the original purchaser of Meyer® brand products that they will be free from defects in materials or workmanship, with the exceptions stated below. No person is authorized to change this warranty or to create any additional warranty on Meyer® products.

How Long Coverage Lasts: This warranty runs for a period of two years from the date of purchase on any purchase of a ATV Snow Plow Package¹. If the Package is registered online at www.meyerproducts.com within sixty (60) days of purchase, your warranty for the Package will be extended for a period of three years. In addition to the warranties covering a complete Snow Plow Package and Structural Steel, you will receive a warranty for a period of one year from the date of purchase on individual parts, components, or accessories. All foregoing warranties apply only to an original purchaser of the product if the product is installed by an authorized Distributor/ Sub-Distributor and terminate if the product is sold or otherwise transferred. Some states do not allow limitations on how long an implied warranty lasts, so the above limitation may not apply to you.

What is Not Covered: This warranty does not cover:

- Problems caused by failure to follow the product instructions, failure to maintain the product as described in the Operator's Manual, or failure to maintain proper levels of lubricants;
- Problems caused by contamination or restriction of lubricant systems, or damage resulting from rust, corrosion, freezing or overheating;
- Paint, or expendable snow plow parts such as pins, runners, cutting edges, chrome plating, springs and markers;
- Damage to any vehicle to which the products are mounted, or the suitability of any product for vehicles which are not fitted with the appropriate heavy-duty snow plow service preparation parts;
- Damage caused by usage that is not in accordance with product instructions (use of the snow plow for any purpose other than plowing snow is considered misuse and abuse);
- Any snow plow, or any part, component, or assembly thereof, which has been modified or altered;
- Problems caused by using accessories, parts, or components not supplied by Meyer Products;
- Cost of tax, freight, transportation or storage charges, environmental charges, solvents, sealants, lubricants or any other normal shop supplies.
- Problems caused by collision, fire, theft, vandalism, riot, explosion, lightning, earthquake, windstorm, hail, water, flood, or any other Acts of God;
- Liability for damage to property, or injury to, or death of any person arising out of the operation, maintenance or use of the covered product;
- Products with missing or altered serial numbers;

The original purchaser's sole and exclusive remedy against Meyer Products and its Distributors and Sub-Distributors, and Meyer Products' sole obligation for any and all claims, whether for breach of contract, warranty, tort (including negligence) or otherwise shall be limited to providing, through its authorized Distributor/Sub-Distributor network, all labor and/or parts necessary to correct such defects free of charge. Any cost incurred in returning the product to an authorized Meyer® Distributor/Sub-Distributor is the responsibility of the original purchaser. ALL EXPRESS AND IMPLIED WARRANTIES FOR THE PRODUCT, INCLUDING, WITHOUT LIMITATION, ANY IMPLIED WARRANTIES OF MERCHANTABILITY AND FITNESS FOR A PARTICULAR PURPOSE, ARE LIMITED IN TIME TO THE TERM OF THE LIMITED WARRANTY PERIOD. NO WARRANTIES, WHETHER EXPRESS OR IMPLIED, WILL APPLY AFTER THE LIMITED WARRANTY PERIOD HAS EXPIRED. Meyer Products disclaims liability beyond the remedies provided for in this limited warranty, and disclaims all liability for incidental, consequential, and special damages, including, without limitation, any liability for third-party claims against you for damages, for products not being available for use, or for lost profits. Meyer Products' liability will be no more than the amount you paid for the product that is the subject of a claim; this is the maximum amount for which we are responsible. Some states do not allow the exclusion or limitation of incidental or consequential damages, so the above limitation or exclusion may not apply to you.

What Meyer Products Will Do: Meyer Products will repair any product that proves to be defective in materials or workmanship. In the event repair is not possible or practical (as determined by Meyer Products in its sole discretion), Meyer Products will either replace the product with a new product of similar model and price, or refund the full purchase price, as determined by Meyer Products.

Customer Responsibilities: Customer must keep the complete Snow Plow Package serviced/maintained as recommended by Meyer Products. A written record of service must be maintained, along with receipts for maintenance materials purchased. A copy of the maintenance record and pertinent receipts may be requested in the event of a claim.

MEYER® SNOW PLOWS LIMITED WARRANTY

**MEYER®
SNOW PLOWS
LIMITED WARRANTY**

How To Get Service: In order to obtain service under this warranty, the original purchaser must:

- Use all reasonable means to protect the complete snow plow package from further damage;
- Return the claimed defective part to the Meyer®/Diamond® Distributor/Sub-Distributor from whom the product was purchased or to any authorized Meyer®/Diamond® Distributor/Sub-Distributor, transportation and freight charges prepaid. Only Meyer®/Diamond® Distributors/Sub-Distributors are authorized to perform the obligations under this warranty. For the address and telephone number of the Meyer®/Diamond® Distributor/Sub-Distributor nearest you, check the telephone directory, go to www.meyerproducts.com, write us at the address below, or call (216) 486-1313 for assistance;
- Provide maintenance record and receipts for required maintenance, if requested;
- Allow inspection of damaged parts and/or complete snow plow package if deemed necessary by Meyer Products.
- It is the responsibility of the original purchaser to establish the warranty period by verifying the original delivery date.
A bill of sale/sales receipt, cancelled check or some other appropriate payment record may be kept for that purpose.

How State Law Applies: This warranty gives you specific legal rights, and you may also have other rights which vary from state to state.

How to register your Meyer/Diamond Plow to receive the ROC Solid Warranty

- Go to www.meyerproducts.com and click on the link to register your plow.
- Fill out the information on the form as required.
- The serial number location of the moldboard is shown in Figure 1.
- Fill out the remainder of the information to complete the registration.

EC DECLARATION OF CONFORMITY

EC DECLARATION OF CONFORMITY

The undersigned representing the manufacturer _____ and the authorized representative
 _____ established within the community

herewith declared that the Product: **Snow & Ice Equipment**

Model/Type ref.: _____

is in conformity with the Essential requirements of the following EC Directives when subject to correct installation, maintenance and use conforming to its(their)intended purpose, to the applicable regulations and standards, to our operation and maintenance manual.

2006/95/EC	EC Low Voltage Directive
2004/108/EC	EMC Directive
2006/42/EC	Machinery Directive

and that the Standards and/or technical specifications referenced below have been applied:

- γ BS EN 60204-1:2006 / IEC 60204-1:2005: Safety of machinery – Electrical equipment of machines-Part 1: General requirements.
- γ EN ISO 12100-1:2003:Safety of Machinery – Basic Concepts, General Principles of Design Part 1: Basic Terminology and Methodology
- γ EN ISO 12100-2:2003:Safety of Machinery – Basic Concepts, General Principles of Design Part 2: Technical principles
- γ EN 13021:2003+A1- Winter service machines - Safety requirements
- γ EN 61000-6-2: 2005. Generic standards – Immunity for Industrial Environments.
- γ EN 61000-6-4:2005. Generic emission standard, Part 2: Industrial environment.

Year of CE Marking: _____

Manufacturer:	Authorized Representative in the community:
Signature: <u>J. A. Kest</u>	Signature: _____
Position: <u>GENERAL MANAGER</u>	Position: _____
Date: <u>5-14-2010</u>	Date: _____
Place: <u>CLEVELAND, OHIO</u>	Place: _____

NOTES

21

MEYER PRODUCTS LLC

18513 Euclid Avenue
Cleveland, Ohio 44112

216-486-1313

www.meyerproducts.com
custserv@meyerproducts.com