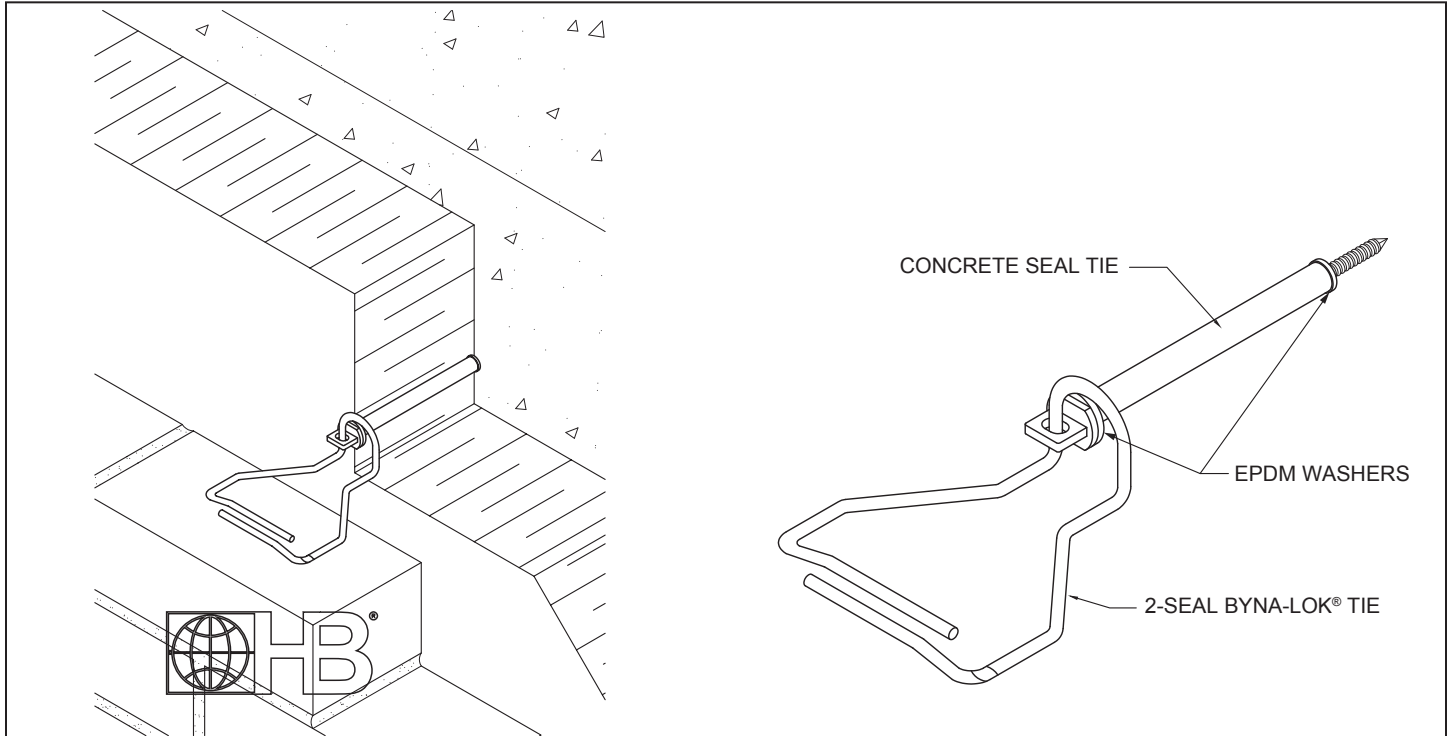




HOHMANN & BARNARD, INC.
A MiTek - BERKSHIRE HATHAWAY COMPANY

Veneer Anchors Concrete Seal Tie™



DRAWINGS FOR ILLUSTRATIVE PURPOSES ONLY

H&B RECOMMENDS 16" X 16" SPACING

Concrete Seal Tie™ is an innovative single screw veneer tie suitable for use with concrete, CMU, wood stud or brick backup.

- #14 screw with alternating threads and two factory-installed EPDM sealing washers
- Available for 5/8" - 4 1/2" insulation and/or wall board thickness

Screw (Carbon Steel): **ASTM A510** (Carbon Steel)
ASTM C954 (1000-hour polymer coating)

Wire (Carbon Steel): Prefabricated from cold-drawn steel wire conforming to **ASTM A82/A82M**

Tensile Strength - 80,000 p.s.i. | Yield Point - 70,000 p.s.i. minimum
Zinc Coating:

Hot-Dip Galvanized after fabrication: **ASTM A153/A153M-B** (1.5 oz/ft²)

Wire (Stainless Steel): **ASTM A580/A580M** - AISI Type 304 or Type 316

Screw Pullout Values (1 1/4 min. embed):

- Concrete 810# (average ultimate load)
- C-90 Hollow Block 700# (average ultimate load)

Concrete Seal Tie Finish*:

- Polymer Coated
* **For Stainless Steel, refer to the Concrete Thermal 2-Seal Wing Nut Anchor.**

Concrete Seal Tie (Equal to thickness of wallboard + insulation):

- | | |
|---|---|
| <input type="checkbox"/> Concrete Seal Tie (5/8") | <input type="checkbox"/> Concrete Seal Tie (2 1/2") |
| <input type="checkbox"/> Concrete Seal Tie (1") | <input type="checkbox"/> Concrete Seal Tie (3") |
| <input type="checkbox"/> Concrete Seal Tie (1 1/2") | <input type="checkbox"/> Concrete Seal Tie (3 1/2") |
| <input type="checkbox"/> Concrete Seal Tie (2") | <input type="checkbox"/> Concrete Seal Tie (4") |
| | <input type="checkbox"/> Concrete Seal Tie (4 1/2") |

2-Seal Byna-Lok™ Wire Tie Finish:

- Hot-Dip Galvanized | Stainless Steel Type 304 Type 316

2-Seal Byna-Lok™ Wire Tie Length: (3/16"Ø)

- 3" 4" 5" Custom _____

Continuous Wire Finish:

- Hot-Dip Galvanized | Stainless Steel Type 304 Type 316

Continuous Wire Diameter: 9 gauge 3/16"Ø

Note: Hohmann & Barnard recommends **Stainless Steel** for maximum protection against corrosion.

IMPORTANT: Since each construction project is unique, the appropriate selection and use of any product contained herein must be determined by competent architects, engineers and other appropriate professionals who are familiar with the specific requirements of the project in question.

HOHMANN & BARNARD, Inc.
CORPORATE HEADQUARTERS
30 Rasons Court | Hauppauge, NY 11788
T: 800.645.0616 F: 631.234.0683
www.h-b.com

Branch/Subsidiary Locations:
ALABAMA - ILLINOIS - MARYLAND
NEW YORK - PENNSYLVANIA - TEXAS
UTAH - CANADA

© HOHMANN & BARNARD, INC. - 2014