

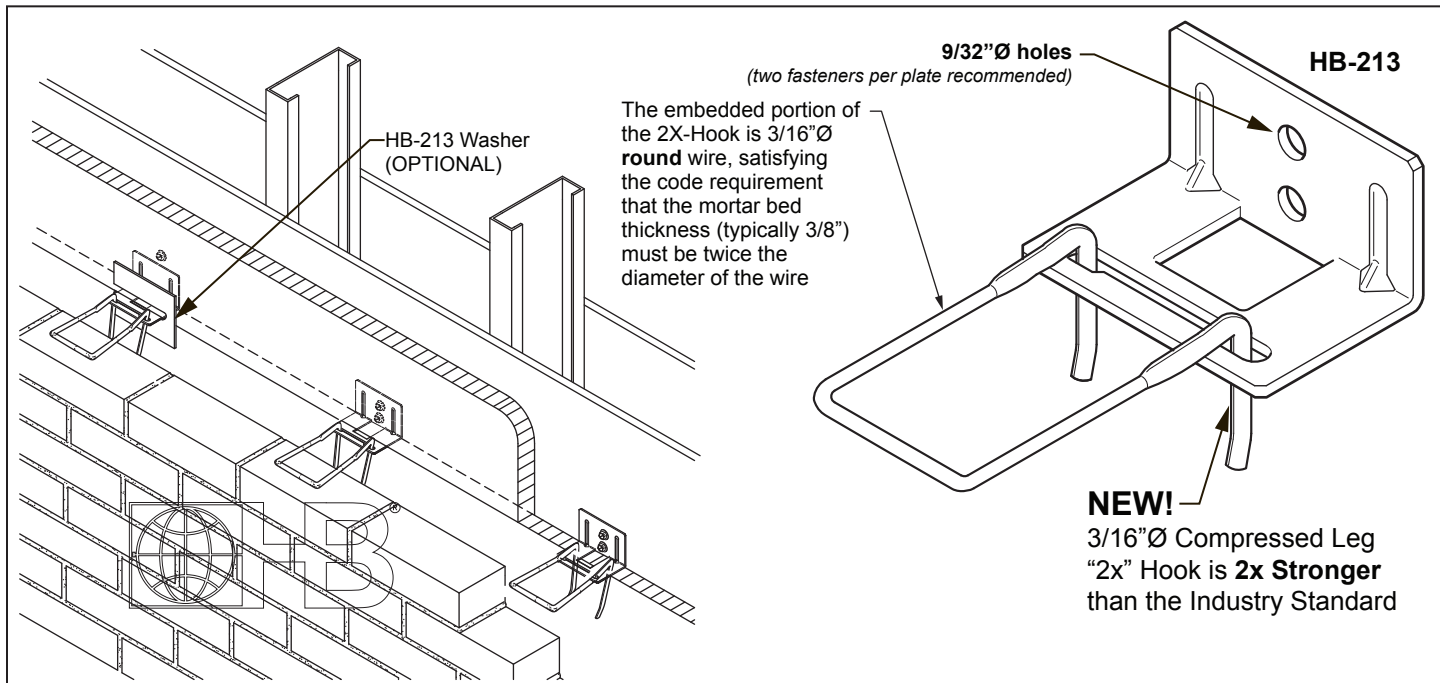


**HOHMANN & BARNARD, INC.**  
A MiTek - BERKSHIRE HATHAWAY COMPANY

# Veneer Anchor Plates

## HB-213-2X

### Adjustable Veneer Anchor



DRAWINGS FOR ILLUSTRATIVE PURPOSES ONLY

**H&B RECOMMENDS 16" X 16" SPACING**

Hohmann & Barnard's 2X-Hook has been tested and designed to withstand over 200-lbf, in tension or compression, at maximum allowed offset (ACI 530 6.2.2.5.5.4) of 1 1/4". These results exceed BIA recommendations and the capabilities of standard "round wire" hooks/pintles by over 100%, creating a higher standard for the masonry industry. *Test results available upon request.*  
U.S. Pat. No. 8,613,175

#### MATERIAL CONFORMANCE

##### Wire (Carbon Steel):

Cold-drawn steel wire conforming to **ASTM A82/A82M**:  
Tensile Strength - 80,000 psi | Yield Point - 70,000 psi minimum  
Zinc Coating:  
Hot-Dip Galvanized after fabrication: **ASTM A153/A153M-B2** (1.5 oz/ft<sup>2</sup>)

##### Wire (Stainless Steel):

**ASTM A580/A580M** - AISI Type 304 & Type 316

H&B manufactures steel wire products from a minimum of 95% post-consumer recycled material.

##### Sheet Metal (Carbon Steel): **ASTM A1008/A1008M**

Zinc Coating: Hot-Dip Galvanized: (refer to wire above)

##### Sheet Metal (Stainless Steel):

**ASTM A 666, ASTM A480, ASTM A240/A240M, and ASTM A167 - AISI Type 304** (Type 316 available on special order)

#### NOTES:

- State overall wall size & cavity or insulation thickness when ordering
- Two fasteners per plate recommended
- Needs 3/4 inch (19mm) to 1 inch (25mm) minimum air cavity
- For attachment to concrete, block or brick see 523 Brass Expansion Bolt

#### HB-213 Anchor Backplate Finish:

- Hot-Dip Galvanized  
 Stainless Steel - Type 304     Stainless Steel - Type 316

H&B recommends Stainless Steel for maximum protection against corrosion

#### Backplate Style (Equal to combined thickness of insulation and/or wallboard):

- |  |  |
|--|--|
| <input type="checkbox"/> HB-213 (0")     | <input type="checkbox"/> HB-213 (3 1/2") |
| <input type="checkbox"/> HB-213 (1")     | <input type="checkbox"/> HB-213 (4")     |
| <input type="checkbox"/> HB-213 (1 1/2") | <input type="checkbox"/> HB-213 (4 1/2") |
| <input type="checkbox"/> HB-213 (2")     | <input type="checkbox"/> HB-213 (5")     |
| <input type="checkbox"/> HB-213 (2 1/2") | <input type="checkbox"/> HB-213 (5 1/2") |
| <input type="checkbox"/> HB-213 (3")     | <input type="checkbox"/> HB-213 (6")     |

#### Backplate Thickness:

- 14 ga. (1.9 mm)     12 ga. (2.7 mm)

#### 3/16"Ø Compressed Leg Hook Length:

- 3" (300H-2X)     4" (400H-2X)     5" (500H-2X)  
 6" (600H-2X)     7" (700H-2X)

**IMPORTANT:** Since each construction project is unique, the appropriate selection and use of any product contained herein must be determined by competent architects, engineers and other appropriate professionals who are familiar with the specific requirements of the project in question.

**HOHMANN & BARNARD, Inc.**  
CORPORATE HEADQUARTERS  
30 Rasons Court | Hauppauge, NY 11788  
T: 800.645.0616 F: 631.234.0683  
[www.h-b.com](http://www.h-b.com)

**Branch/Subsidiary Locations:**  
ALABAMA - ILLINOIS - MARYLAND  
NEW YORK - PENNSYLVANIA - TEXAS  
UTAH - CANADA

© HOHMANN & BARNARD, INC. - 2014