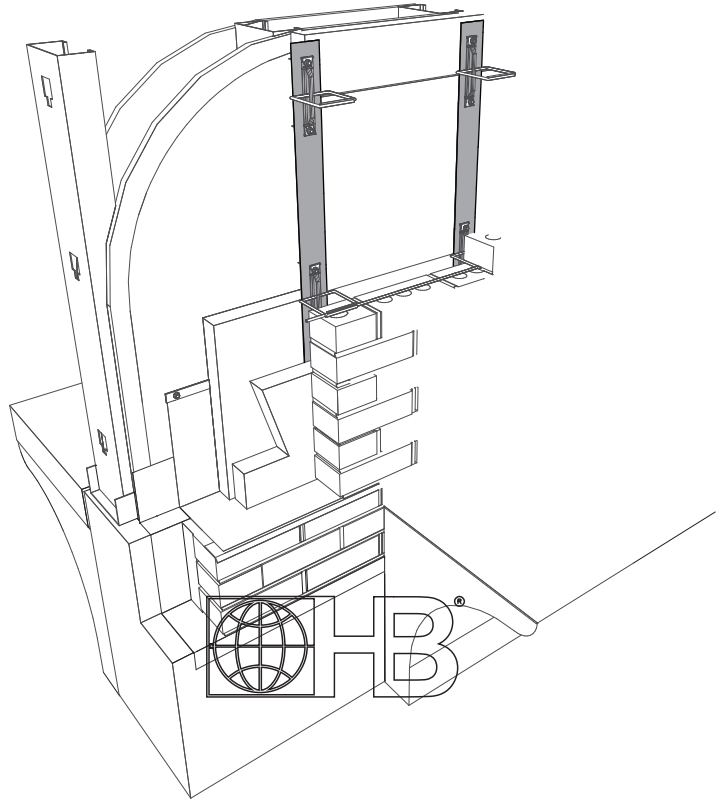
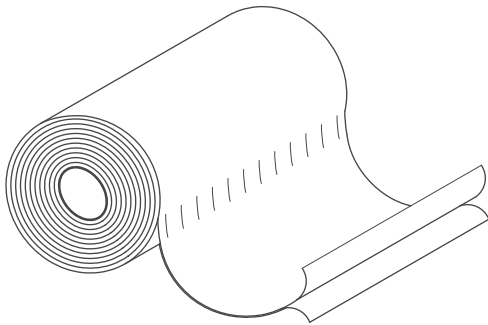




HOHMANN & BARNARD, INC.
A MiTek - BERKSHIRE HATHAWAY COMPANY

Flashing and Reglets X-SEAL™ Tape



DRAWINGS FOR ILLUSTRATIVE PURPOSES ONLY

X-Seal Transition Anchor Tape

for X-Seal® Veneer Anchor

Seals around the shaft of the screw and legs of X-Seal™ Anchors at the point of penetration. X-SEAL Tape has been designed to be applied in continuous lengths only. It can also be used as an insulation joint tape.

- Reinforced polyolefin base, laminated to a polypropylene layer.
- Adhesive-backed with removable release liner
- UV resistant for up to 90 days

Patents Pending

Storage and Protection:

X-SEAL Tape should be stored between 40°F (5°C) and 100°F (38°C). If exposed to lower temperatures, restore product to a minimum of 40° F (5° C) before application.

Manufactured from 45% post-industrial and/or post-consumer recycled material.

*** Please refer to Hohmann & Barnard installation instructions for more information.**

Technical Data:

- Tensile Strength - **ASTM D751-95**
Machine Direction (Force) 130 lbs
Cross Direction (Force) 124 lbs
- Trapezoidal Tear Strength - **ASTM D4533-91**
Machine Direction (Force) 46 lbs
Cross Direction (Force) 44 lbs
- Mullen Burst - **ASTM D751-95** 180 psi
- UV Exposure (2000 hours) - **ASTM G154-98** >90%
- Permeability
MVTR - **ASTM E96 - B** <.075 Perms¹
Air permeability - **TAPPI-460** >5000 Sec/100cc

Size: 3" wide x 75' long

¹Grains/h/ft²/in Hg (perms)

HOHMANN & BARNARD, Inc.
30 Rasons Court | Hauppauge, NY 11788
CORPORATE HEADQUARTERS
T: 800.645.0616 F: 631.234.0683
www.h-b.com

Branch/Subsidiary Locations:
ALABAMA - ILLINOIS - MARYLAND
NEW YORK - PENNSYLVANIA - TEXAS
CANADA

© HOHMANN & BARNARD, INC. - 2013